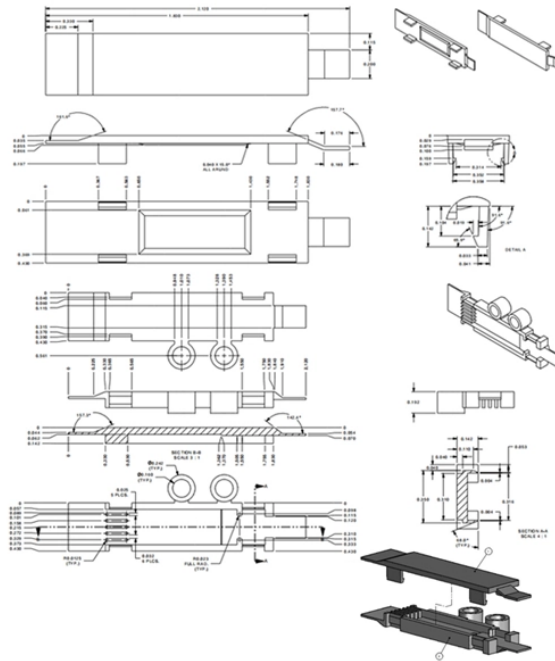


Fiber Optic Patch Panel Cabling



Fiber Optic Patch Panel Cabling



Foss offers high-quality fiber patch panels for structured cabling, enabling easy management, expansion, and maintenance in FTTH, data center, and telecom networks.



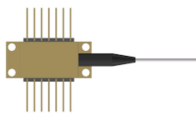
A fiber optic patch panel is a central hub where incoming and outgoing fiber cables connect, organize, and route signals across your network. It provides a structured interface between ...



A fiber patch panel is a mounted enclosure—either rack-mounted or wall-mounted—used to terminate, manage, and interconnect multiple fiber optic cables. It acts as a hub for organizing ...



Discover the best fiber optic patch panel options for 2024. Learn how to choose, install, and maintain your fiber network for future growth.



A unique cassette is attached to the end of a cable assembly, specifically designed to snap into a patch panel bracket. This bracket can hold four cassettes, providing up to ninety-six fiber optic ports in a ...



Fibertronics, Inc. presents a comprehensive selection of fiber optic patch panels and termination kits, catering to various needs. Choose from configurations including 12 fiber 24 core, 48, 72, and 144 ...



During this free webinar, we will discuss different fiber cables types, appropriate applications for each type, the mechanics of performing a Tier I test on fiber optic cable and calculating a loss limit for ...



A technical guide on choosing the best Fiber Patch Panel to install & terminate fiber optic cable for any indoor/outdoor industrial communication project.



The traditional fiber optic patch panel is no longer just a passive hardware box; it is a critical intersection point for managing cable geometry, mitigating insertion loss, and ensuring ...



Learn what a fiber optic patch panel is, how it works, and why it is essential in modern fiber networks. A practical guide for FTTH, data centers, and telecom systems.

Contact Us

For more information, pricing, or custom solutions, please contact us:

Website: <https://www.samastersbaseball.co.za>

Email: sales@samastersbaseball.co.za

Phone: +27 63 874 2095

Address: 15 Innovation Drive, Technopark, Stellenbosch, 7600, South Africa

This document is for informational purposes only. Specifications subject to change without notice.

