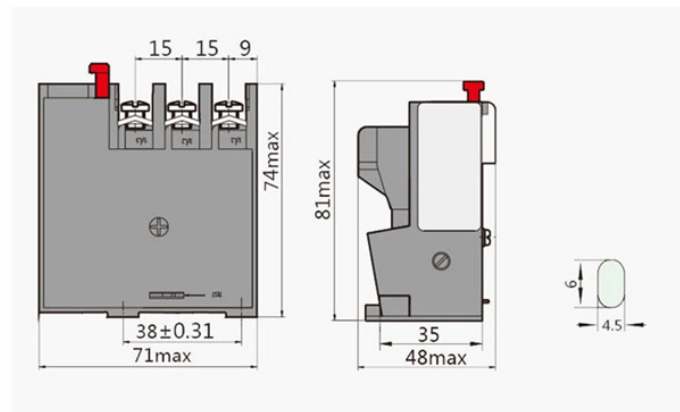


Fiber Distribution Box Installation Height Requirements



Overview

Wall-mounted boxes should be 4. This height makes it easy to reach without bending or stretching. Ground-mounted boxes should be raised 2 to 4 inches to avoid. This document will assist SBC customers with installations of GigaMAN® and FibreMANsm service. While SBC attempts to meet customer requirements when installing service, these standards are required to ensure that customers purchasing these services encounter no service-related problems or outages. The installation of an optical fiber distribution box is a multi-step process, and the following is a detailed installation guide: First, prepare before installation 1. Determine the installation position: - Determine the installation position of the optical fiber distribution box based on the. The Fiber Optic Association, Inc. (FOA) was founded in 1995 to help develop the workforce to build the fiber optic networks to support a rapid expansion in communications and the Internet. FO-VC2 JOINT USE - VERTICAL MIDSPAN CLEARANCES 48. FO-RI JOINT USE RISER. If the customer's premise has an underground power service drop, an underground fiber drop will be placed to the home. The customer does not need to be home at the time of the conduit installation but.

Fiber Distribution Box Installation Height Requirements



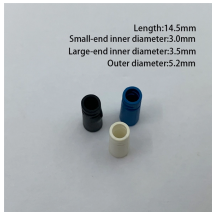
Although most fiber optic cables are not conductive, any metallic hardware used in fiber optic cabling systems (such as splice closures, pedestals, messenger wire, wall-mounted termination boxes, ...



The details of the requirements and process of installation will be outlined throughout this document. It discusses in detail the professional manner in which all employees and contractors will ...



All State and County Road crossings shall meet the installation requirements outlined in the right of way permit issued by the authority having jurisdiction and construction design.



To ensure consistent performance and longevity, it is essential to adhere to strict technical specifications. This article delves into the intricacies of the fiber distribution box, exploring its various ...



Wall must allow approximately 3" x 3" for installation, minimum (4" x 4" is preferable to accommodate fiber distribution panels) and must be at standing height.



Most fiber optic cables do not have sufficient strength to allow direct aerial installation, but there are methods to install them aerially as well as special cables that are designed for aerial installation.



- Determine the installation position of the optical fiber distribution box based on the design document or actual requirements. The location should be in a dry, ventilated, and anti-corrosion place, and the ...



Follow height rules when installing a distribution box. Wall-mounted boxes should be 4.5 to 5.5 feet high. This height makes it easy to reach without bending or stretching. Outdoor boxes need to be at least 3 ...



In a data center, a facility (e.g., pathway, cable, conduits) between any of the following spaces: entrance rooms or spaces, main distribution areas, horizontal distribution areas, and ...



Have any questions? Talk with us directly using LiveChat.

Contact Us

For more information, pricing, or custom solutions, please contact us:

Website: <https://www.samastersbaseball.co.za>

Email: sales@samastersbaseball.co.za

Phone: +27 63 874 2095

Address: 15 Innovation Drive, Technopark, Stellenbosch, 7600, South Africa

This document is for informational purposes only. Specifications subject to change without notice.

